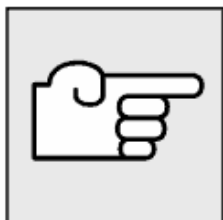
**Special tools required:**

- 33 4 390
- 33 4 410

*Note:*

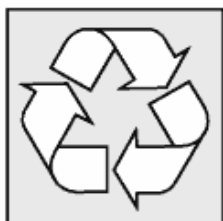
After completion of work, check transmission oil level.

Oil fill quantity.

**Caution!**

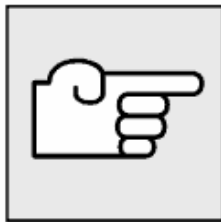
Use only the approved differential oil in this final drive.

Failure to comply with this instruction will result in serious damage to the final drive.

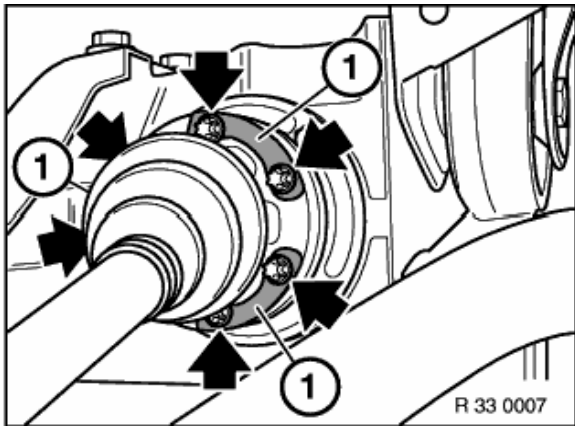
**Recycling:**

Observe country-specific waste-disposal regulations.

If necessary, drain final drive oil.



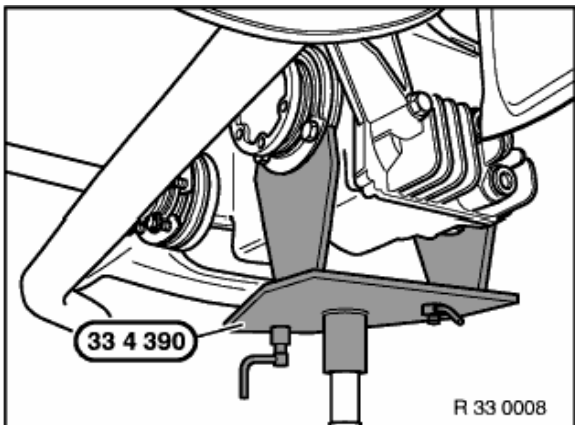
Remove propeller shaft from drive flange.
Disconnect cable plug from pulse generator speedometer.



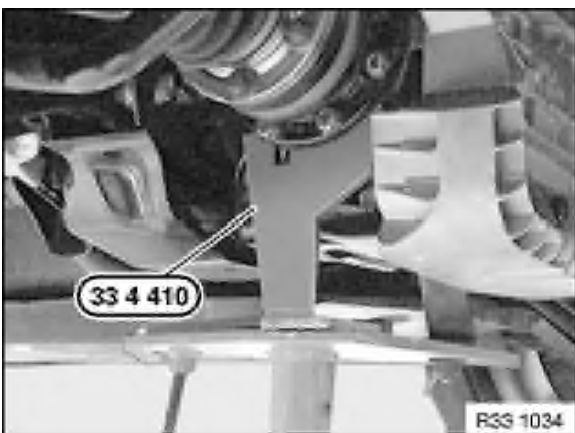
Release screws.
Tightening torque, 33 21 1AZ.
Remove output shafts and tie up.

Installation:

Fit shims (1).

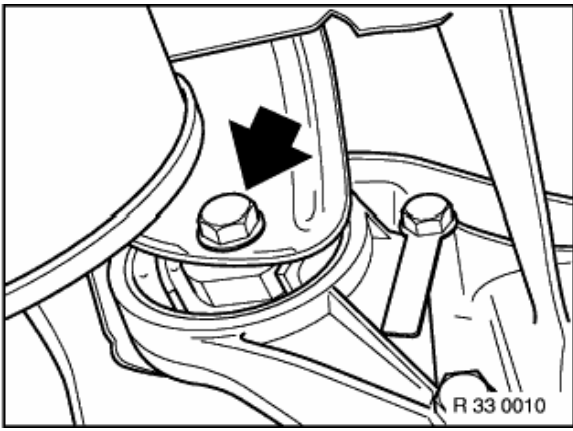


Support final drive with transmission hoist and special tool
33 4 390.



E36 / S54 (Z3):

Support final drive with transmission hoist and special tool
33 4 410 .

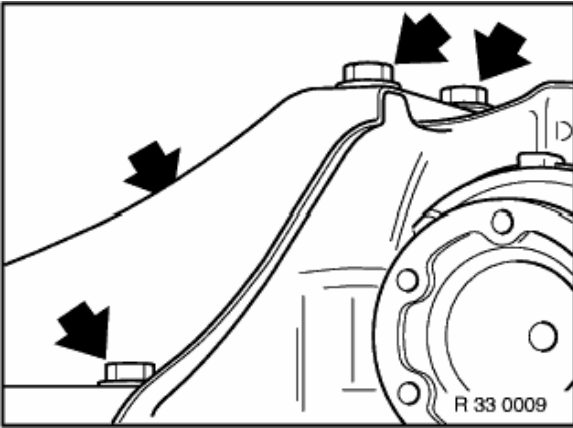


Release screw.

Tightening torque, 33 17 4AZ.

Installation:

Replace self-locking nut.



Release screws. Lower workshop hoist a little and tilt out final drive towards rear.

Tightening torque, 33 17 1AZ.